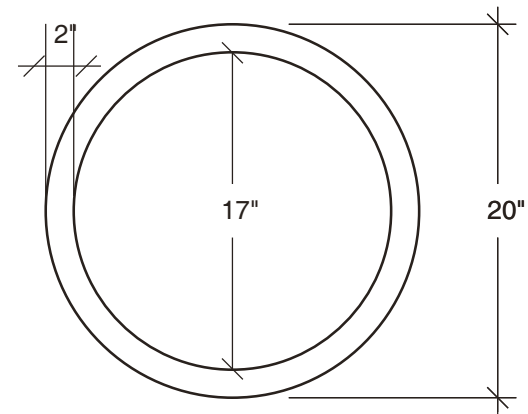
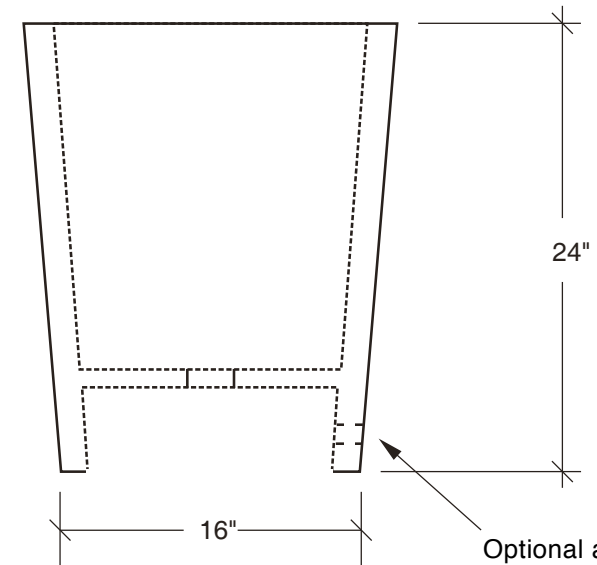


STANDARD
ACCESS HOLE

CLEARANCES to COMBUSTIBLE MATERIALS



TOP VIEW



Optional access hole

OPTIONAL 1" Side Gasline Access Hole
REQUIRED: Yes _____ No _____

**Side Gasline Access Hole is ONLY Required IF the Gasline CANNOT enter through the 2.5" Access hole in the bottom of the Spire.
 **IF REQUIRED, please check off the YES field above.

	ORDER NO. / JOB NAME	PRODUCT THE SPIRE	COLOUR
	SIGNATURE	DATE	OTHER 40,000 BTUs Nat. Gas or Propane
			Weight: ~225 Lbs